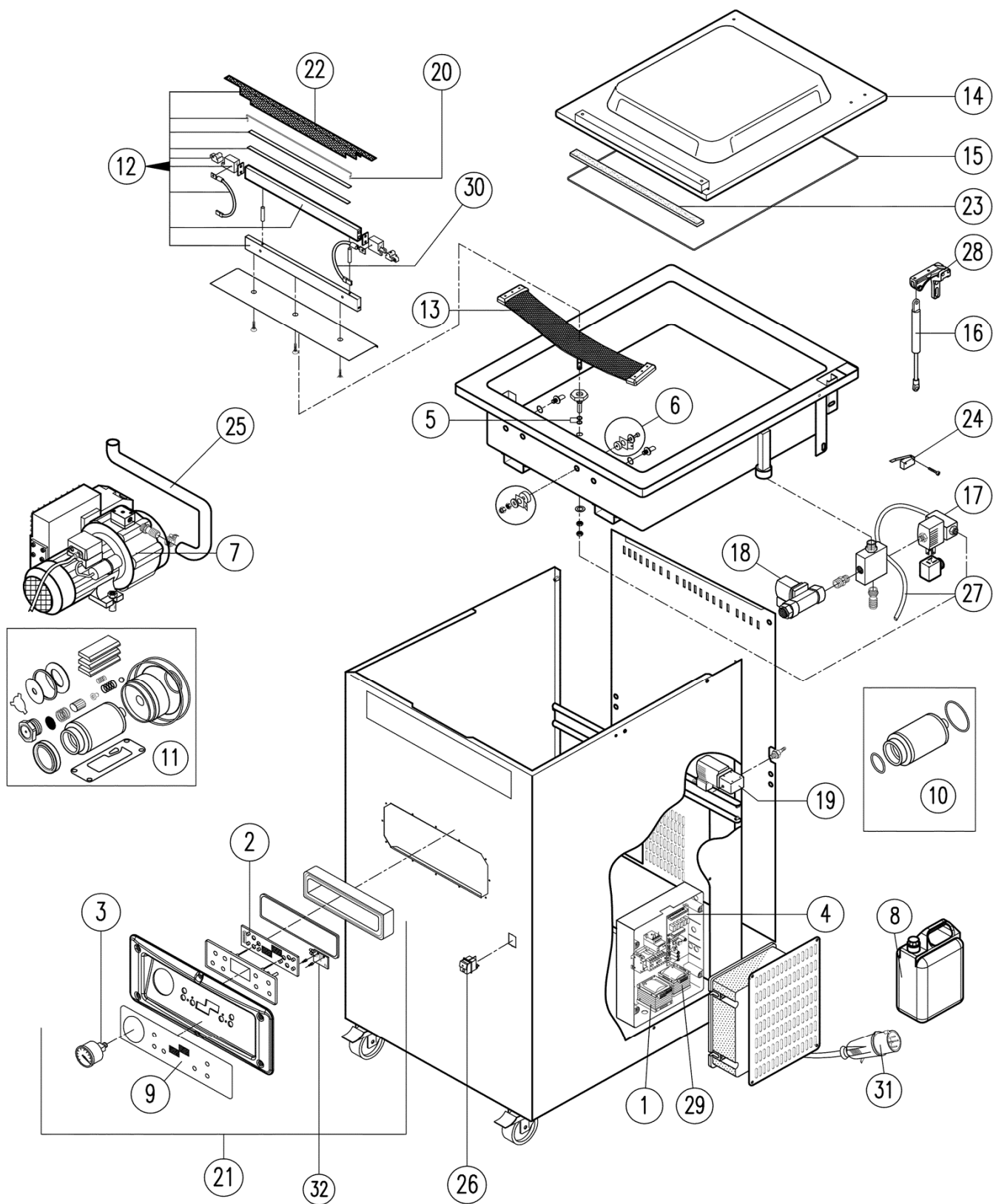


SPARE PARTS LIST



LEVAC C46H
1916

SPARE PARTS LIST

SPARE PARTS LIST LEVAC C46H (AVM425F)					
No. Part	Code Part	Description	Validity start date	Validity end date	Notes
1	1602655	TRANSFORMER 500VA 220-380/12-18V	01/01/1900	31/12/2099	230V 2BL
1	1603281	TRANSFORMER 400VA 220/12-18V	03/01/1900	31/12/2099	230V 1BC
1	1602655	TRANSFORMER 500VA 220-380/12-18V	03/01/1900	31/12/2099	230V 2BC
1	1602655	TRANSFORMER 500VA 220-380/12-18V	03/01/1900	31/12/2099	400V
2	1604093	COMMAND BOARD B081_2	05/01/1900	31/12/2099	
3	1603378	VACUUM GAUGE D=50MM	05/01/1900	31/12/2099	
4	1601837	POWER BOARD PJ029 400V MC	01/01/1900	31/12/2099	400V
4	1601834	POWER BOARD H102_2 - 230V MC	05/01/1900	31/12/2099	230V
5	1604043	O-R FOR COUPLING NOZZLE (10 PCS)	05/01/1900	31/12/2099	
6	1601095	CHAMBER CONTACT KIT MC	05/01/1900	31/12/2099	
7	1604114	VACUUM PUMP LC 25 230V 50/60HZ	05/01/1900	31/12/2099	LC 25 - 230V
8	1601840	PUMP OIL ORV60 1+1L	01/01/1900	31/12/2099	
8	1601839	PUMP OIL ORV60 1,5L	05/01/1900	31/12/2099	
8	1601038	PUMP OIL ORV60 10L	05/01/1900	31/12/2099	
9	1602284	CONTROLS STICKER LEVAC C46/46H POST. 2015	04/01/1900	31/12/2099	
10	1601050	KIT MINOR LB18/LC20- LB25/LA20 (K1000038) (EXHAUST FILTER)	03/01/1900	31/12/2099	LB25
10	1601614	REPAIR KIT MINOR FOR PUMP LC25 (K1000040) (EXHAUST FILTER)	05/01/1900	31/12/2099	LC25
11	1600522	MAJOR KIT FOR VACUUM PUMP LB25 (K9601049/1)	03/01/1900	31/12/2099	LB25
11	1601554	REPAIR KIT MAJOR FOR VACUUM PUMP LC25 (K1000041)	05/01/1900	31/12/2099	LC25
12	1600814	COMPLETE SEALING BAR 540X32X15 VM53/FC460 1BL/2BL	01/01/1900	31/12/2099	2BL
12	1600788	COMPLETE SEALING BAR 475X32X15	03/01/1900	31/12/2099	1BC
12	1600788	COMPLETE SEALING BAR 475X32X15	03/01/1900	31/12/2099	2BC
13	1603262	SEALBAG L=430mm	01/01/1900	31/12/2099	2BL
13	1603263	SEALBAG L=385mm	03/01/1900	31/12/2099	1BC
13	1603263	SEALBAG L=385mm	03/01/1900	31/12/2099	2BC
14	CODSERVICE	SPARE PART MANAGED BY CUSTOMER SERVICE	01/01/1900	31/12/2099	
15	1604018	BLACK COVER SEAL 2 MT	03/01/1900	31/12/2099	
16	1602564	GAS PRESSURE SPRINGS (2 PCS) 198.255.26	05/01/1900	31/12/2099	
17	1603355	3 WAYS SEALBAG SOLENOID VALVE 1/8"FF D=2,5 FKM 24V-DC	03/01/1900	31/12/2099	
18	1603360	DEVACUMATE SOLENOID VALVE 1/2"FF D=13 24V-DC VM18-18N-53-53N/SV41-	05/01/1900	31/12/2099	
19	1603356	GASFLUSH SOLENOID VALVE 2VIE 1/8"FF D3 FKM 24V-DCGAS/SOFTAIR	05/01/1900	31/12/2099	GAS
20	1603265	ROUNDED SEALING WIRE 5x0.3 (1 MT)	05/01/1900	31/12/2099	
21	1602106	COMPLETE CONTROL PANEL B081 LEVAC C46/46H POST. 2015	01/01/1900	31/12/2099	
22	1604427	HAVANA TEFLON BAND L=65MM (1 MT) IDEA/ MC/NEW/V.2010/400G-DG/VM98/F420/C-SERIES	05/01/1900	31/12/2099	
23	1602596	SILICONE RUBBER 22X8X480 (1 PC/PCS)	03/01/1900	31/12/2099	2BC
23	1602596	SILICONE RUBBER 22X8X480 (1 PC/PCS)	05/01/1900	31/12/2099	1BC
24	1603449	SWITCH CONTACT MC	05/01/1900	31/12/2099	
25	1604375	ARMORVIN HOSE D=16 (1 MT)	03/01/1900	31/12/2099	
26	1604071	MAIN SWITCH 20A	05/01/1900	31/12/2099	
27	1604388	HOSE D=8X6 (2MT)	05/01/1900	31/12/2099	
28	1603679	HINGES (L+R)	05/01/1900	31/12/2099	
29	1604632	TRANSFORMER 200VA 0-230-400/0-22V	03/01/1900	31/12/2099	400V
30	1602513	SEALING BAR CONNECTION WIRE (2 PCS) ASF-4	05/01/1900	31/12/2099	
31	1603293	POWER CABLE 3X1,5X3000 SHUKO EUR	05/01/1900	31/12/2099	230V
31	1603676	POWER CABLE 3PH+PE 4X1,5 MMQ CEE	05/01/1900	31/12/2099	400V
32	1603278	PRESSURE TRANSDUCER MODULE B063.0	05/01/1900	31/12/2099	